



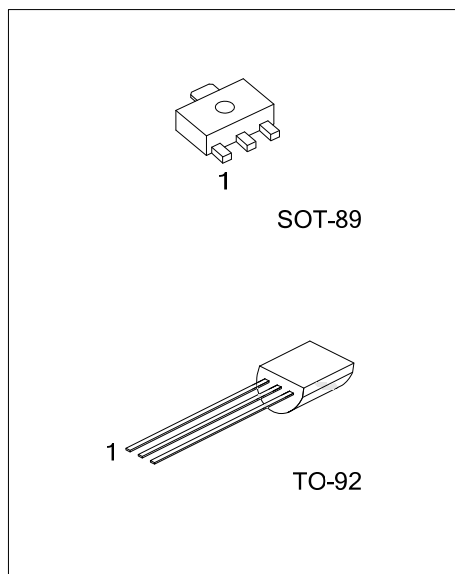
MJE13001

NPN SILICON TRANSISTOR

NPN SILICON POWER TRANSISTOR

FEATURES

- * Collector-base voltage: $V_{(BR)CBO}=600V$
- * Collector current: $I_C=0.2A$



ORDERING INFORMATION

Ordering Number		Package	Pin Assignment			Packing
Lead Free	Halogen Free		1	2	3	
-	MJE13001G-x-AB3-A-R	SOT-89	E	C	B	Tape Reel
-	MJE13001G-x-AB3-F-R	SOT-89	B	C	E	Tape Reel
MJE13001L-x-T92-B	MJE13001G-x-T92-B	TO-92	B	C	E	Tape Box
MJE13001L-x-T92-K	MJE13001G-x-T92-K	TO-92	B	C	E	Bulk
MJE13001L-x-T92-A-B	MJE13001G-x-T92-A-B	TO-92	E	C	B	Tape Box
MJE13001L-x-T92-A-K	MJE13001G-x-T92-A-K	TO-92	E	C	B	Bulk

Note: Pin Assignment: C: Collector B: Base E: Emitter

<p>MJE13001G-x-AB3-A-B</p> <p>(1)Packing Type (2)Pin Assignment (3)Package Type (4)Rank (5)Green Package</p>	<p>(1) B: Tape Box, K: Bulk, R: Tape Reel (2) refer to Pin Assignment (3) AB3: SOT-89, T92: TO-92 (4) x: refer to Classification of h_{FE1} (5) G: Halogen Free and Lead Free, L: Lead Free</p>
--	--

MARKING

SOT-89	TO-92
<p>1</p>	<p>1</p>